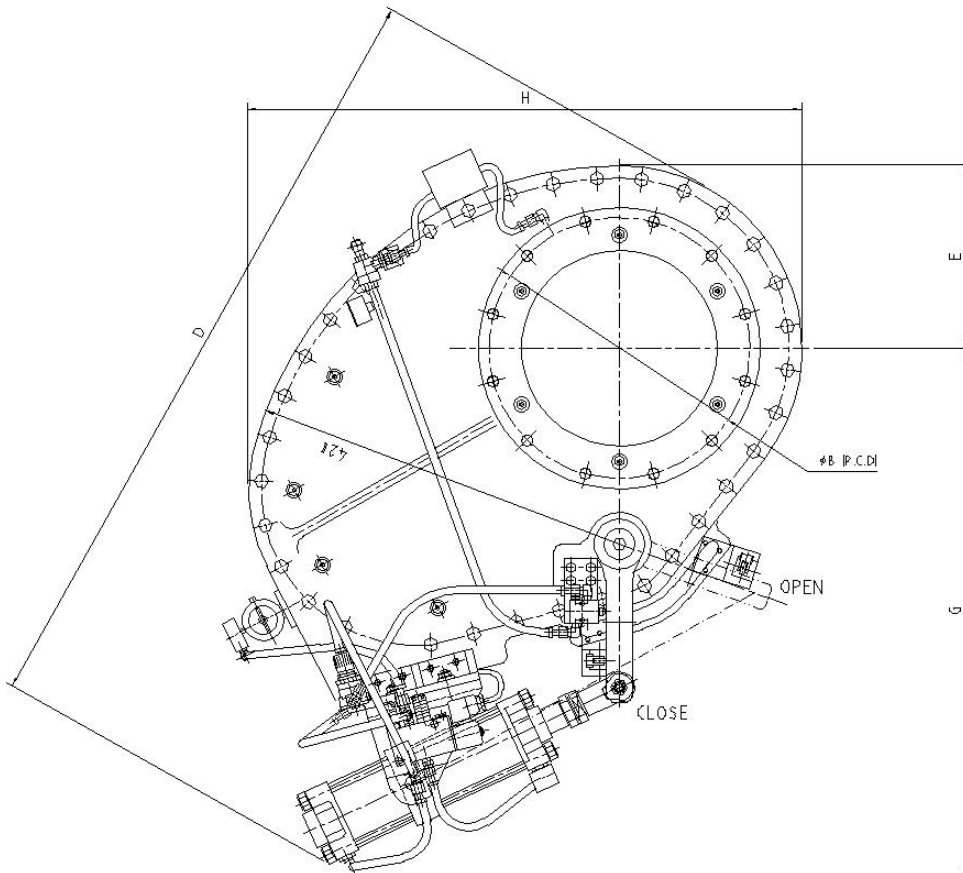
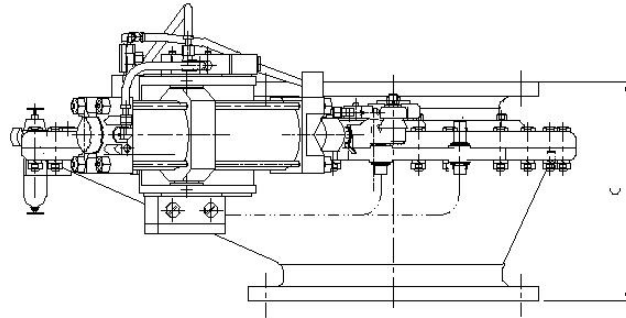


DRAWINGS
SERIES: C303, C313



DATASHEET

SERIES: C303, C313



DIMENSIONS IN METRIC: DN 100 – DN 400								
DN	FLANGE	B	~ C	~ D	~ E	~ F	~ G	~ H
100	EN 1092 PN10	180	210	805	140	550	605	430
	ASME B16.5 #150	190.5	210	805	140	550	605	430
150	EN 1092 PN10	240	220	825	165	615	660	500
	ASME B16.5 #150	241.5	220	825	165	615	660	500
200	EN 1092 PN10	295	280	990	200	730	700	620
	ASME B16.5 #150	298.5	280	990	200	730	700	620
250	EN 1092 PN10	350	300	1060	240	830	740	725
	ASME B16.5 #150	362	300	1060	240	830	740	725
300	EN 1092 PN10	400	335	1190	280	980	810	850
	ASME B16.5 #150	432	335	1190	280	980	810	850
400	EN 1092 PN10	515	455	1400	315	1060	900	995
	ASME B16.5 #150	540	455	1400	315	1060	900	995

DIMENSIONS IN INCHES: DN 4" – DN 16"								
DN	FLANGE	B	~ C	~ D	~ E	~ F	~ G	~ H
4	ASME B16.5 #150	7.5	8.3	31.7	5.5	21.7	23.8	16.9
6	ASME B16.5 #150	9.5	8.7	32.5	6.5	24.2	26.0	19.7
8	ASME B16.5 #150	11.8	11.0	39.0	7.9	28.7	27.6	24.4
10	ASME B16.5 #150	14.3	11.8	41.7	9.4	32.7	29.1	28.5
12	ASME B16.5 #150	17.0	13.2	46.9	11.0	38.6	31.9	33.5
16	ASME B16.5 #150	21.3	17.9	55.1	12.4	41.7	35.4	39.2

Note:

- Dimensions are approximate and subject to change. Consult manufacturer for actual drawing.